

Figure 3-16 Profile of typical culvert.

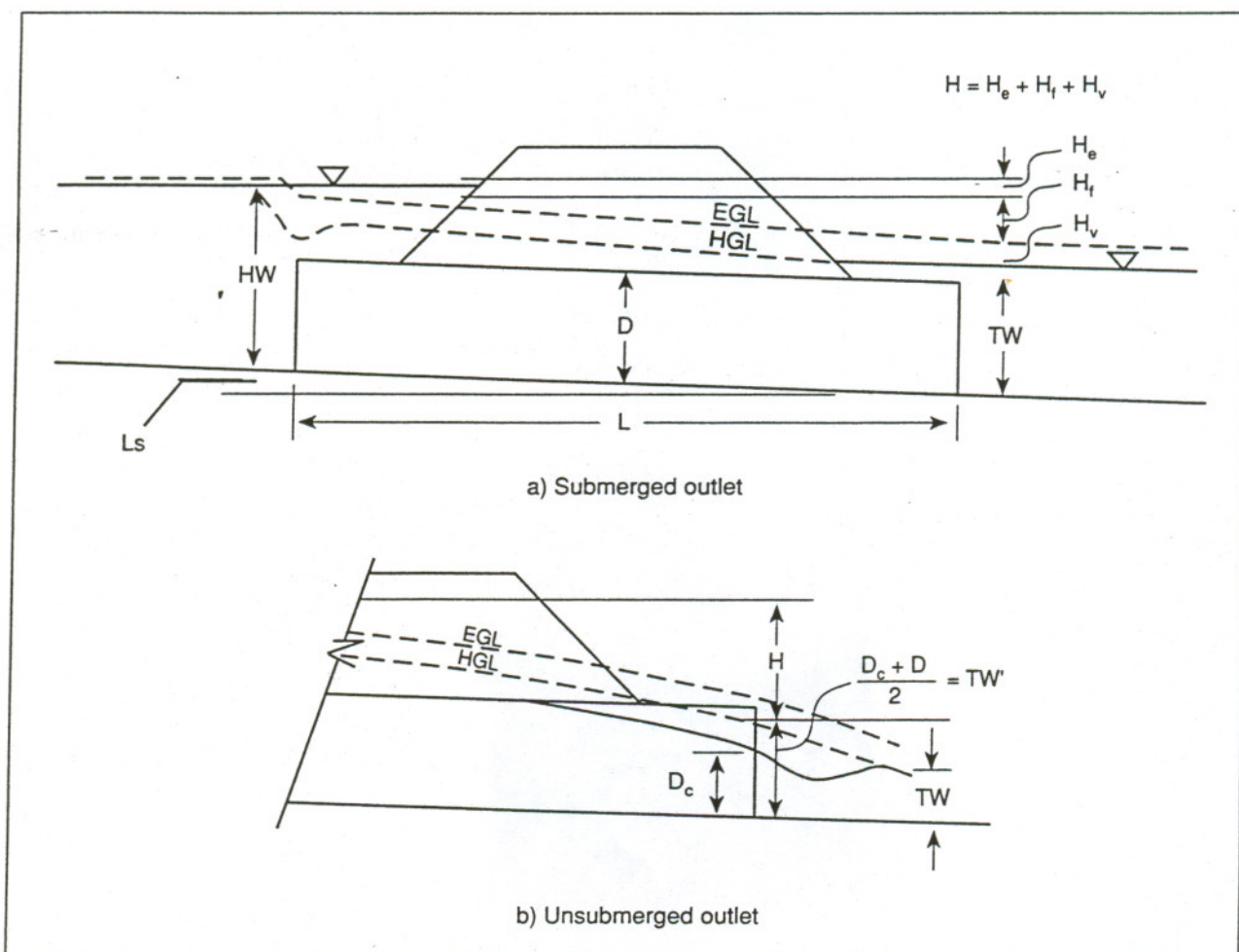


Figure 3-17 Hydraulic components of culvert flow.